

Order N° _____ Quotation
 Date _____ Signature _____
 Customer Ref. _____

PAGE 1/1
 2020, January

Dealer

Key

standard

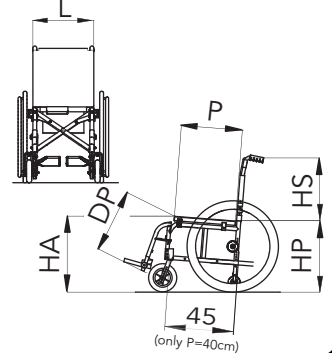
option

EUROPA

L Seat width 38 40 42 44 46 48 50
P Seat depth 38 40 42 44
HS Back-rest height 37 39 41 43
HA Front seat/floor height 48 50 52
HP Rear seat/floor height 45 47 50
DP Foot-rest/seat distance 37 39 41 43 45 47 49 cm

Quantity

Nr. pieces



Frame colour ①
 Metallic grey

Upholstery ②
 Nylon
 Tension adj. nylon back-rest
 Without back-rest
 Tension adj. breathable back-rest
 Without seat

③ **Detachable foot-rests with plastic foot-plates and heel stops**

 Foot-holding belts

④ **Elevating detachable foot-rests with plastic foot-plates and heel stops**
 (only P = 38 or 40 cm)

 Foot-holding belts

Single drive ⑤

 Right
 Left

Features
 Aluminium folding frame;
 Aluminium double cross bar;
 Nylon fireproof upholstery;
 Quick-release rear wheels;
 Tilt adjustable foot-plates;
 Heel stops;
 Adjustable rear wheel plate;
 Tilt adjustable front fork plate;
 Height adjustable back-rest;
 Unbalancing pedals;
 Weight
 W40 · D40 · HS37 cm : 15,9 kg

⑥ **Detachable Sport tip-up arm-rest h 22 cm**

 Closed
 Open with side guards
Elbow-rest
 Classic (23 cm long)
 Straight (26 cm long)
 Hemiplegic RX
 Hemiplegic LX

⑦ **Detachable "U" tip-up arm-rest h 22 cm**

 Closed
 Open with side guards
Elbow-rest
 Straight (26 cm long)
 Straight (36 cm long)
 Hemiplegic RX
 Hemiplegic LX

Detachable height adjustable tip-up arm-rest ⑧
 (only closed)
 Sport "U"

Appoggiamito
 Classic (23 cm long)
 Classic (30 cm long)
 Straight (26 cm long)
 Straight (36 cm long)
 Hemiplegic RX
 Hemiplegic LX

Rear wheels ⑨
 24"
 22"
 20"
Tyres
 Pneumatic plugged
 Solid

Handrims ⑩
 Aluminium silver
 Chromium-plated 24"
 Aluminium dark
 Rubber coated
 CL CURVE L 24"
 CL GEKKO 24"
 Silicon covers

Spoke guards ⑪
 Transparent
 Black
 Alphabet
 Fantasy
 code pattern:
 (see catalogue of spokeguards)

Front castors ⑫
 150 (6"x1.3/8) solid
 150 (6"x1.1/4) pneum.
 175 (7"x1) solid
 175 (7"x1.3/4) pneum.
 175 (7"x1.3/4) solid

Options
 17 "M" velcro strip (hook) on seat
 18 "F" velcro strip (loop) on seat
 19 Seat/back-rest connecting flap
 20 WC seat
 21 Padded rigid seat
 22 Chest harness
 23 Chest belt
 24 Abductor belt
 25 Catheter holder pocket
 26 Hinged back-rest
 27 Back anatomic board
 28 Rx Lx Crutch holder
 28 Rx Lx Duple crutch holder
 29 Pump for pneumatics
 30 45° pelvic belt
 31 45° padded pelvic belt
 32 Black backpack
 34 Umbrella holder
 35 Lined cushion, h 3cm high
 36 Lined cushion, h 5cm high

⑬ **Extended wheel plate**
 (only HP=47 or 50 cm)

Table (only with arm-rests) ⑭
 Transparent
 Rx Lx Hemiplegic transp.
 (not for height adjustable arm-rests)
 Plastic grey
 Soft padded
 Specify the fastening:
 Single Double
 (the double fastening is compulsory with height adjustable arm-rests)

Anti-tip device ⑮
 (only HP=47 or 50 cm)

 Right
 Left

⑯ **Small wheels for narrow passages**

 Without small wheels for narrow passages

Notes _____

Mod. OFEURR8-EN Send to: OFF CARR S.R.L. Via Dell'Artigianato II, 29 - 35010 Villa del Conte (Padova) Italy Tel: +39 049 9325733 Fax: +39 049 9325734-mail: offcarr@offcarr.com - www.offcarr.com